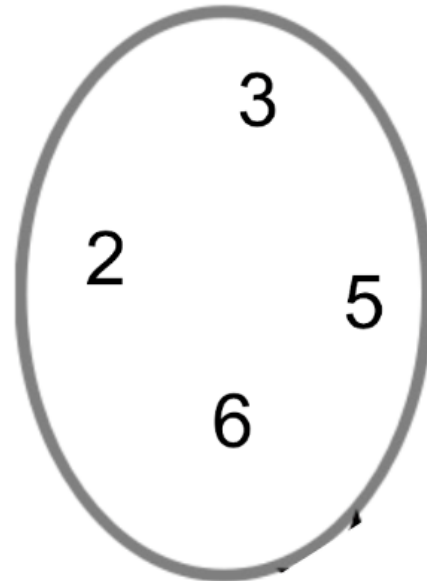
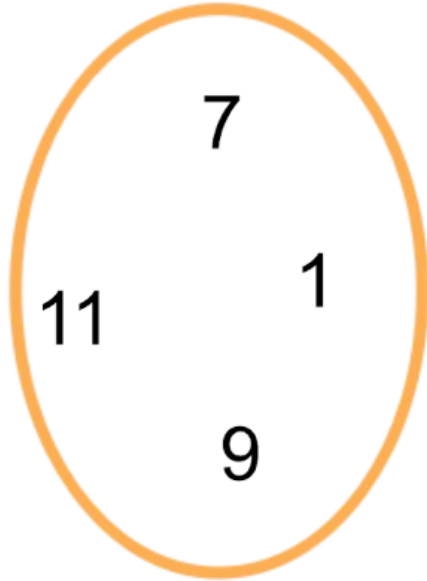
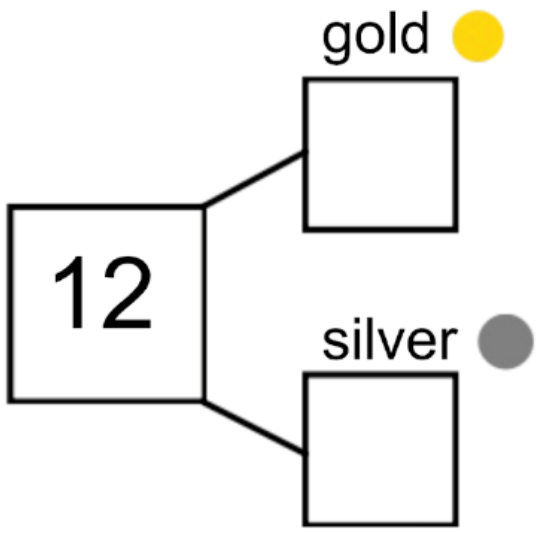


Independent Task

Task 1



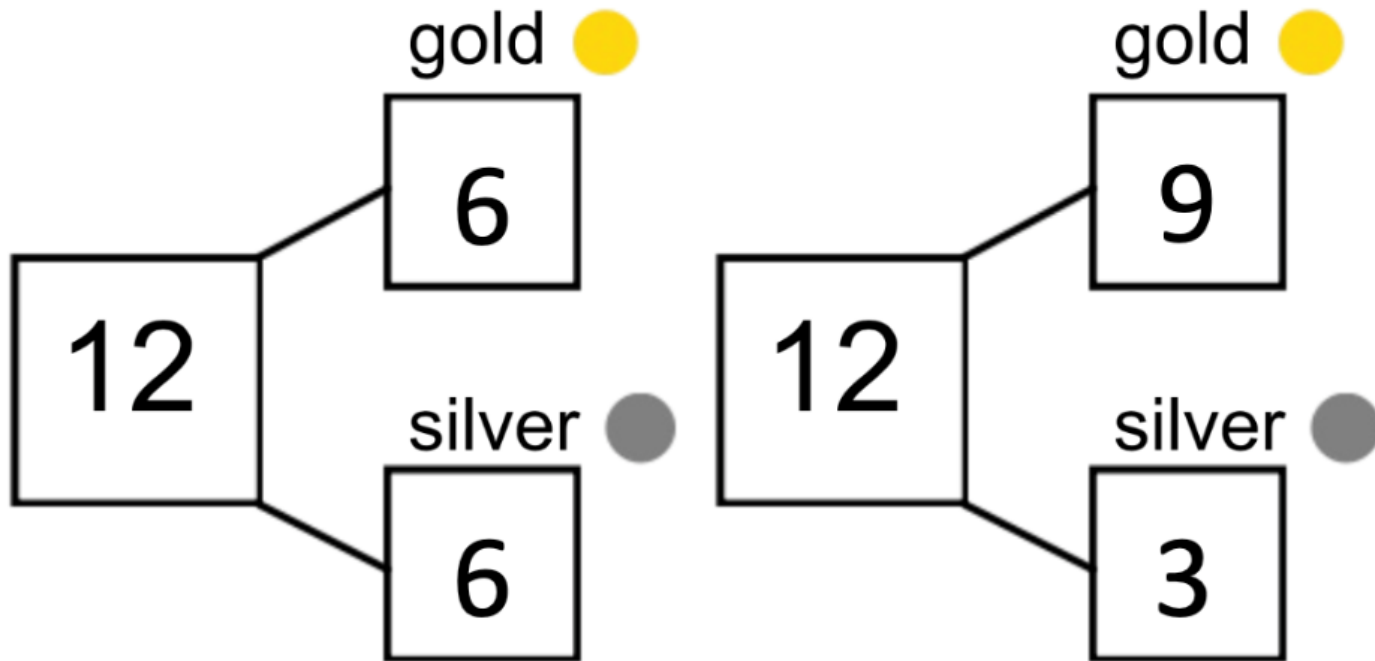
Challenge: what if there were 24 coins in total? What are the different possibilities?

You can mix numbers from both circles, use numbers from the same circle and you can use numbers twice.



Answers

Task 1



Answers

Task 1

